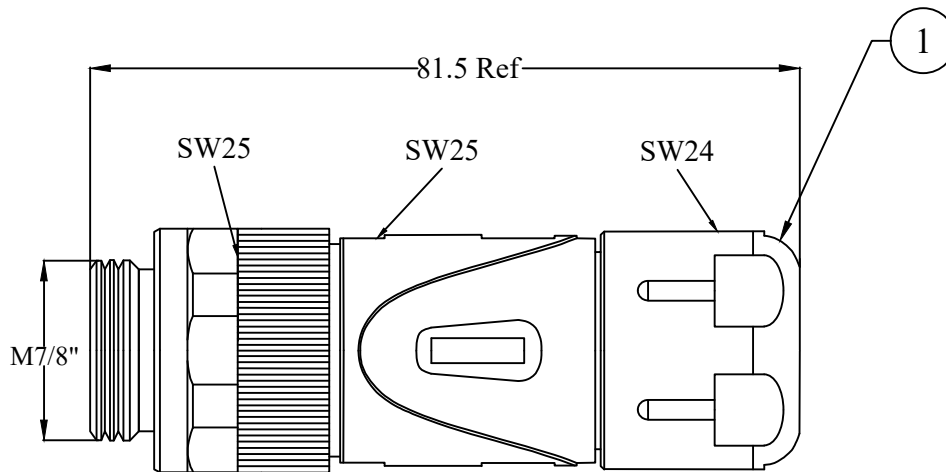
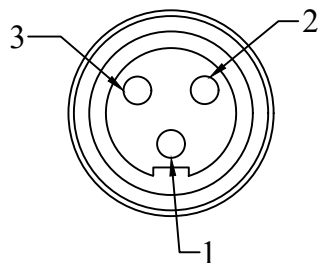




NOTE:

1. All dimensions are in mm.
2. All connectors are shown in face view.
3. 100% Electrically Tested.



SR NO.	Descriptions
1	M7/8" Male Straight 3 Pin Unshielded Field Wirable Connector.

This drawing is our property. It can't be reproduced or communicated without our written agreement.		LEI INDIA'S	
DRAWN BY M. S		DATE 12/12/25	
CHECKED BY M. S		DATE 12/12/25	
APPROVED BY J. S		DATE 12/12/25	
DRAWING TITLE M7/8" Male Straight 3 Pin Unshielded Field Wirable Connector.		SIZE A4	DRAWING NUMBER 2478W-96-163-03-0000
SCALE 1 : 1		UOM: MM	REV 00
SHEET 1/1			

Rev no.	Rev date	Description	Changed By	Checked By