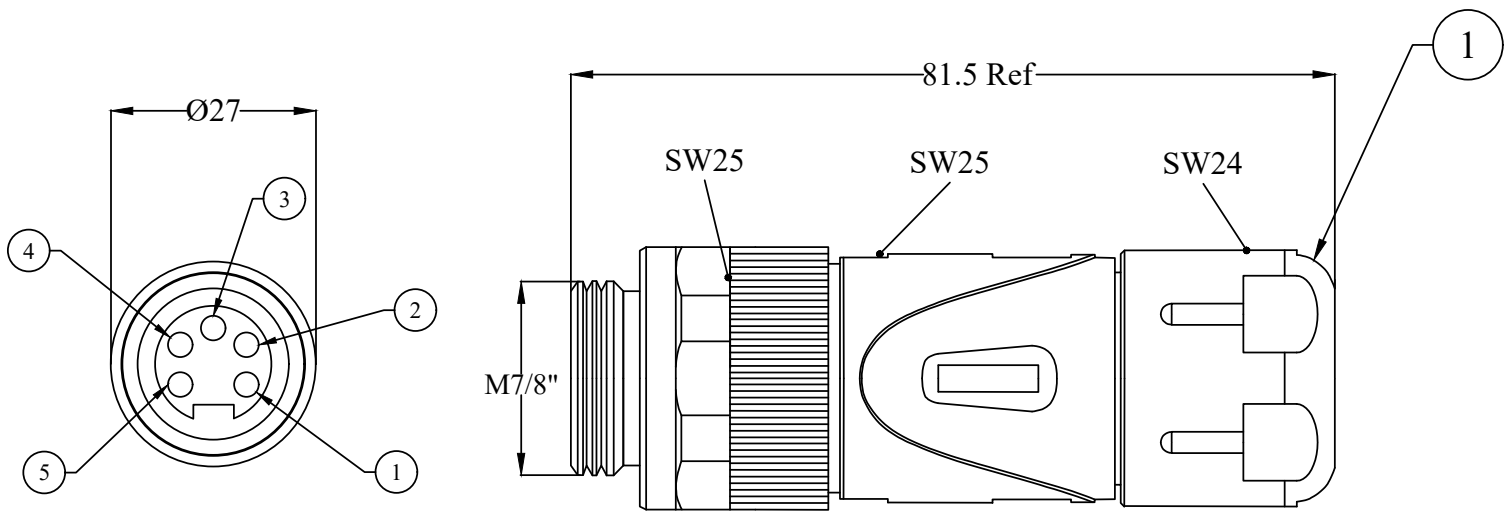




NOTE:

1. All dimensions are in mm.
2. All connectors are shown in face view
3. 100% Electrically Tested.



SR NO.	Descriptions
1	M7/8" Male Straight 5 Pin Unshielded Field Wirable Connector.

This drawing is our property. It can't be reproduced or communicated without our written agreement.



DRAWN BY M. S		DATE 14/10/25		DRAWING TITLE M7/8" Male Straight 5 Pin Unshielded Field Wirable Connector.		
CHECKED BY M. S		DATE 14/10/25		SIZE A4	DRAWING NUMBER 2478W-96-165-03-0000	REV 00
APPROVED BY J. S		DATE 14/10/25		SCALE 1 : 1	UOM: MM	SHEET 1/1

Rev no.	Rev date	Description	Changed By	Checked By