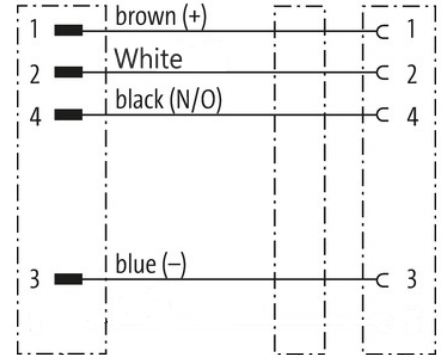


Product Data Sheet

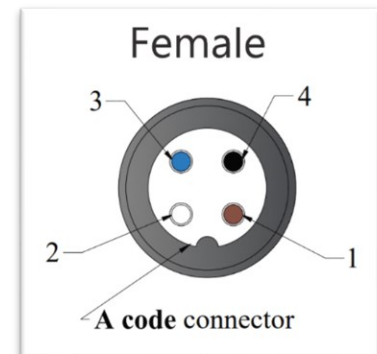
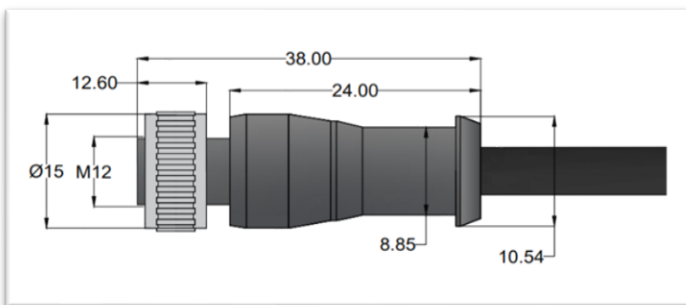
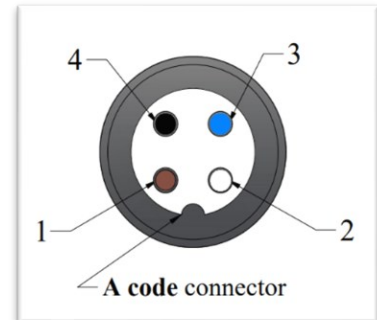
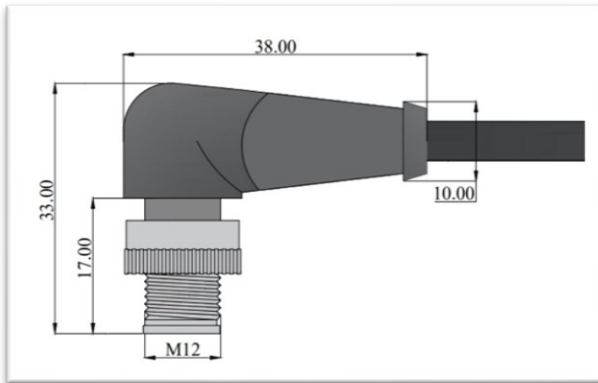
Sensors and Actuator

- ❖ Product Description- M12 Male Angled / M12 Female Straight A Code Pur Unshielded Black Cable
- ❖ 2412-9766-174-434-XXXX
- ❖ Series –M12 A coded

Illustration



-Colour customization available based on MOQ



Product may differ from image



The information in this product PDF has been compiled with the utmost care
 Liability for the correctness completeness and topicality of the information is restricted to gross negligence.

Office Address: Ground Floor Plot No, G-8/7, Ranjangaon Industrial Area Shirur Road Karegaon, Ranjangaon MIDC, Pune Maharashtra-412220
 India. Contact- info@leiindias.com; sales@leiindias.com; www.leiindias.com; +91-7448296005; +91-020-66205306 GST No-27AACCL5628E1ZL
 Factory Address: 2347/B Wagholi Warehouse, Pune Nagar Road, Wagholi, Pune- 412207, Maharashtra, India.

Product Data Sheet

Sensors and Actuator

Technical Data	
Operating voltage	300V AC/DC*
Rated Surge Voltage	2.5 kV
Operating current per contact AMP	Max. 4 A
Connection type head A	Male connector, M12, 4-pin, 90° Angled A coded
Connection type head B	Female connector, M12, 4-pin, 0° Straight, A coded
Protection	IP67, IP68, IP69
Housing Material	TPU
Locking nut material	Brass, Nickel plated
LED display	No
Connector colour	Black
Tightening torque	0.6 Nm

Electrical Data	
Overvoltage category	II
Contact resistance	≤ 5 mΩ
Insulation resistance	≥ 100 mΩ
Test voltage	≥ 3000 V
Conductor material	Bare Cu litz wires
Max. conductor resistance	Max. 57 Ω/km (at 20 °c)
Nominal voltage	≤ 300 v

Mechanical Data	
Insertion/withdrawal cycles	≥ 100

Product properties	
Application	Actuator-sensor, gigabit ethernet & Profibus
Partly UV-resistant	in accordance with DIN EN ISO 4892-2-A
Flammability rating According to UL 94	HB

The information in this product PDF has been compiled with the utmost care
Liability for the correctness completeness and topicality of the information is restricted to gross negligence.

Office Address: Ground Floor Plot No, G-8/7, Ranjangaon Industrial Area Shirur Road Karegaon, Ranjangaon MIDC, Pune Maharashtra-412220
India. Contact- info@leiindias.com; sales@leiindias.com; www.leiindias.com; +91-7448296005; +91-020-66205306 GST No-27AACCL5628E1ZL
Factory Address: 2347/B Wagholi Warehouse, Pune Nagar Road, Wagholi, Pune- 412207, Maharashtra, India.

Product Data Sheet

Sensors and Actuator

General Data

Standards	IEC-61076-2-101 (M12)
Mounting method	Inserted, tightened.
Pin Contact	CuZn
Housing contact	CuSn
Material (contact surface)	Au
Pollution Degree	3
Stripping length (jacket)	20 mm (If required)
Temperature range	-25.... +105°C

Cable Data

Cable Type	PUR
Cable weight	50 g/m
Diameter (core)	4*0.34 mm ² .
AWG	similar to AWG 22
Material (wire isolation)	PP
Material property (wire isolation)	Halogen-, CFC-, cadmium-, silicone- and lead-free
Colour/numbering of wires	Brown, White, Blue, Black
Stranding combination	4 wires twisted
Shield	No
Shielding	NA
Optical shield covering	NA
Material (jacket)	PUR
Outer-Ø (jacket)	5.00 ±0.2mm
Colour (jacket)	Black
Chemical resistance	good resistance to oil, gasoline and chemicals (EN 60811-404)
Thermal resistance	flame retardant UL 1581 Section 1090 (H), CSA FT2 / IEC 60332-2-2
Temperature range (fixed)	-40...+80 °C, (+105 °C. at max. 10 000 operating hours)
Temperature range (mobile)	-25...+80 °C, (+105 °C. at max. 10 000 operating hours)
Bend radius (fixed)	8× outer Ø
Bend radius (moving)	12× outer Ø
No. of bending cycles (C-track)	10 Mio. (25 °C)
Acceleration (C-track)	Max. 10 m/s

The information in this product PDF has been compiled with the utmost care
Liability for the correctness completeness and topicality of the information is restricted to gross negligence.

Office Address: Ground Floor Plot No, G-8/7, Ranjangaon Industrial Area Shirur Road Karegaon, Ranjangaon MIDC, Pune Maharashtra-412220
India. Contact- info@leiindias.com; sales@leiindias.com; www.leiindias.com; +91-7448296005; +91-020-66205306 GST No-27AACCL5628E1ZL
Factory Address: 2347/B Wagholi Warehouse, Pune Nagar Road, Wagholi, Pune- 412207, Maharashtra, India.

Product Data Sheet

Sensors and Actuator

Torsion stress	±180°/m
No. of torsion cycles	max.2 Mio(25°c)
Torsion speed	35 cycle/min

Approvals

UL

CE

cULus

RoHS

Note: This product has been manufactured by the following Class-I, Class-II and class-III **IPC** standards

To understand the MPN please refer the below Table

2412-9766-174-434-XXXX	
24	Series
12	M12 connector
97	Male Angled
66	Female Straight
1	A code
7	PUR unshielded cable-black
4	4 Pole Connector
4	4 core cable
34	0.34 mm ² (Core size)
XXXX	Cable length as per customer requirement

The information in this product PDF has been compiled with the utmost care
Liability for the correctness completeness and topicality of the information is restricted to gross negligence.

Office Address: Ground Floor Plot No, G-8/7, Ranjangaon Industrial Area Shirur Road Karegaon, Ranjangaon MIDC, Pune Maharashtra-412220
India. Contact- info@leiindias.com; sales@leiindias.com; www.leiindias.com;+91-7448296005; +91-020-66205306 GST No-27AACCL5628E1ZL
Factory Address: 2347/B Wagholi Warehouse, Pune Nagar Road, Wagholi, Pune- 412207, Maharashtra, India.