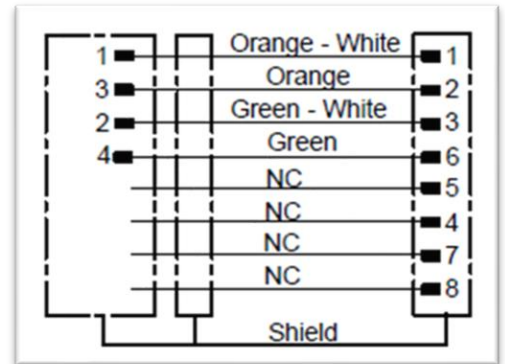


# Product Data sheet

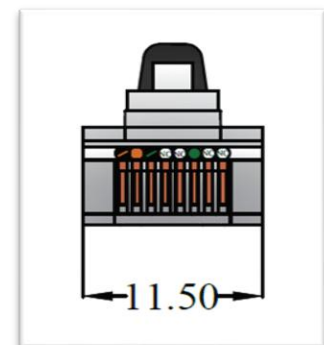
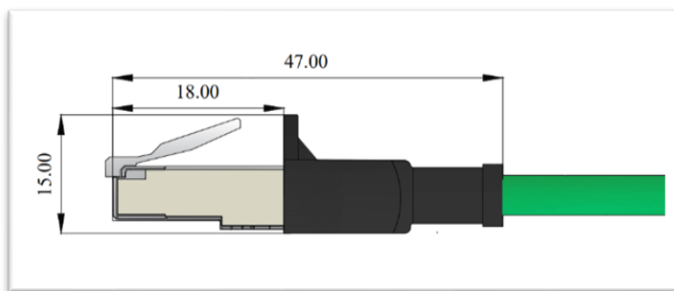
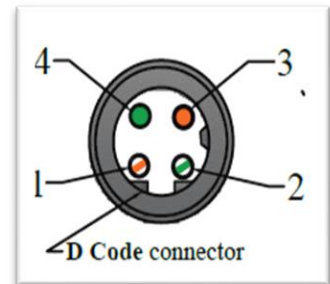
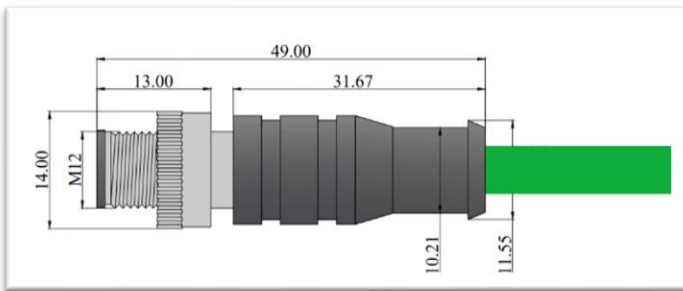
## Sensors and Actuator

- ❖ Product description- M12 Male Straight D Code to RJ45 Male Straight Pvc Shielded Green Cable
- ❖ MPN-241245-9696-40848-814-XXXX-Gn
- ❖ Serie- M12 to RJ45 Cordset

### Illustration



-Colour customization available based on MOQ



Product may differ from image



Product Datasheet Rev.No-01 Effective date-01-11-2025

The information in this product PDF has been compiled with the utmost care  
Liability for the correctness completeness and topicality of the information is restricted to gross negligence.

Office Address: Ground Floor Plot No, G-8/7, Ranjangaon Industrial Area Shirur Road Karegaon, Ranjangaon MIDC, Pune Maharashtra-412220  
India. Contact- info@leiindias.com; sales@leiindias.com; www.leiindias.com; +91-7448296005; +91-020-66205306 GST No-27AACCL5628E1ZL  
Factory Address: 2347/B Wagholi Warehouse, Pune Nagar Road, Wagholi, Pune- 412207, Maharashtra, India.

## Product Data sheet

### Sensors and Actuator

Technical Data	
Operating voltage	Max. 60 V DC*
Rated Surge Voltage	1.0 kV
Operating current per contact AMP	Max. 1.5 A (20°C)
Connection type head A	M12 D Code, Male Straight Shielded connector 4-pin.
Connection type head B	RJ45, Male Straight. Shielded connector 8-pin.
Transfer parameters	Cat 5e
Transfer rate	100 Mbit/s
Locking of ports	Screw threaded
Protection	IP67, IP68, IP69.
Mechanical Life-cycle	Min. 100 Mating cycle
Housing Material	TPU, Black
Material Group	IEC 60664-1, Category I
Locking nut material	Nickel plated
Tightening torque	0.4 Nm

General Data	
Standards	IEC 61076-2-114(M8), IEC 60603-7(RJ45)
Mounting method	Inserted, tightened.
Contact Material	CuSn, Gold plated
Material (contact surface)	Au
Pollution Degree	3
Overvoltage Category	III
Flammability Rating according to UL 94	V0
Temperature range	-25.... +105°C* (depending on Cable)

Product Datasheet Rev.No-01 Effective date-01-11-2025

The information in this product PDF has been compiled with the utmost care  
Liability for the correctness completeness and topicality of the information is restricted to gross negligence.

Office Address: Ground Floor Plot No, G-8/7, Ranjangaon Industrial Area Shirur Road Karegaon, Ranjangaon MIDC, Pune Maharashtra-412220  
India. Contact- [info@leiindias.com](mailto:info@leiindias.com); [sales@leiindias.com](mailto:sales@leiindias.com); [www.leiindias.com](http://www.leiindias.com); +91-7448296005; +91-020-66205306 GST No-27AACCL5628E1ZL  
Factory Address: 2347/B Wagholi Warehouse, Pune Nagar Road, Wagholi, Pune- 412207, Maharashtra, India.

## Product Data sheet

### Sensors and Actuator

Cable Data	
<b>Cable Type</b>	CAT 6A PVC Shielded
<b>Approval (cable)</b>	UL, cULus, CE conformity, RoHS
<b>Diameter (core)</b>	8*0.14 mm <sup>2</sup> .
<b>AWG</b>	similar to AWG 22
<b>Material (wire isolation)</b>	PE.
<b>Shore hardness (wire insulation)</b>	70±5 D
<b>Material property (wire isolation)</b>	CFC-, Halogen-, cadmium-, silicone- and lead-free.
<b>Colour/numbering of wires</b>	White/Orange, Orange, White/Green, Blue, White/Blue, Green, White/ Brown, Brown
<b>Stranding combination</b>	4 wires twisted
<b>Shield</b>	Yes
<b>Shielding</b>	Tin Braided
<b>Optical shield covering</b>	Min 80%
<b>Material (jacket)</b>	PVC (UL/CSA)
<b>Outer-Ø (jacket)</b>	6.2±0.2mm
<b>Colour (jacket)</b>	Green, similar RAL6018
<b>Material properties (outer surface)</b>	CFC-, Halogen-, cadmium-, silicone- and ad-free.
<b>Shore hardness (outer surface)</b>	75±5 D
<b>Material (conductor)</b>	Tinned Stranded Copper
<b>Chemical resistance</b>	good resistance to oil, gasoline and chemicals (EN 60811-404)
<b>Thermal resistance</b>	According to IEC 60332-2-2
<b>Nominal voltage</b>	300 V AC
<b>Temperature range (fixed)</b>	-40...+80 °C, (+105 °C. at max. 10 000 operating hours)
<b>Temperature range (mobile)</b>	-25...+80 °C, (+105 °C. at max. 10 000 operating hours)
<b>Bend radius (fixed)</b>	5× outer Ø
<b>Bend radius (moving)</b>	10× outer Ø
<b>No. of bending cycles (C-track)</b>	5 Mio. (25 °C)
<b>No. of Torsion cycles (C-track)</b>	5 Mio. Cycles

Product Datasheet Rev.No-01 Effective date-01-11-2025

The information in this product PDF has been compiled with the utmost care  
Liability for the correctness completeness and topicality of the information is restricted to gross negligence.

Office Address: Ground Floor Plot No, G-8/7, Ranjangaon Industrial Area Shirur Road Karegaon, Ranjangaon MIDC, Pune Maharashtra-412220  
India. Contact- info@leiindias.com; sales@leiindias.com; www.leiindias.com; +91-7448296005; +91-020-66205306 GST No-27AACCL5628E1ZL  
Factory Address: 2347/B Wagholi Warehouse, Pune Nagar Road, Wagholi, Pune- 412207, Maharashtra, India.

## Product Data sheet

### Sensors and Actuator

Approvals	
	UL
	CE
	cULus
	RoHS

241245-9696-40848-814-XXXX-Gn	
24	Series
12	M12 Connector
45	RJ45 Connector
96	Male Straight (M12)
96	Male Straight (RJ45)
4	D code
08	CAT6A Pvc shielded
4	4 Pole (M12 Male Connector)
8	8 Pole (RJ45 Connector)
8	8 Core
14	0.14 mm <sup>2</sup> (Core size)
XXXX	As per customer requirement
Gn	Green Cable

Product Datasheet Rev.No-01 Effective date-01-11-2025

The information in this product PDF has been compiled with the utmost care  
Liability for the correctness completeness and topicality of the information is restricted to gross negligence.

Office Address: Ground Floor Plot No, G-8/7, Ranjangaon Industrial Area Shirur Road Karegaon, Ranjangaon MIDC, Pune Maharashtra-412220  
India. Contact- [info@leiindias.com](mailto:info@leiindias.com); [sales@leiindias.com](mailto:sales@leiindias.com); [www.leiindias.com](http://www.leiindias.com); +91-7448296005; +91-020-66205306 GST No-27AACCL5628E1ZL  
Factory Address: 2347/B Wagholi Warehouse, Pune Nagar Road, Wagholi, Pune- 412207, Maharashtra, India.