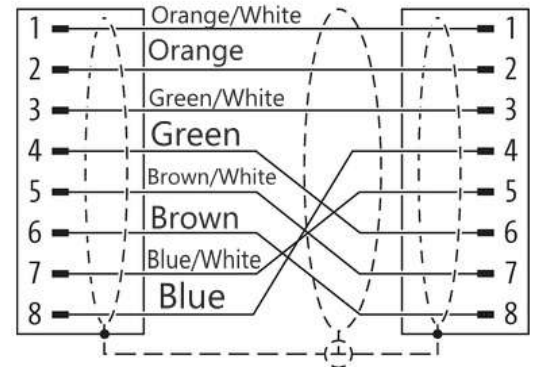


Product Data sheet

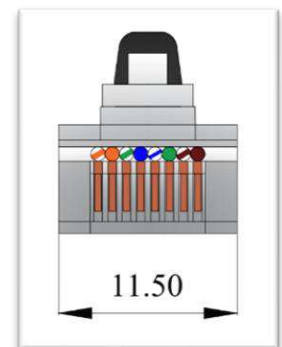
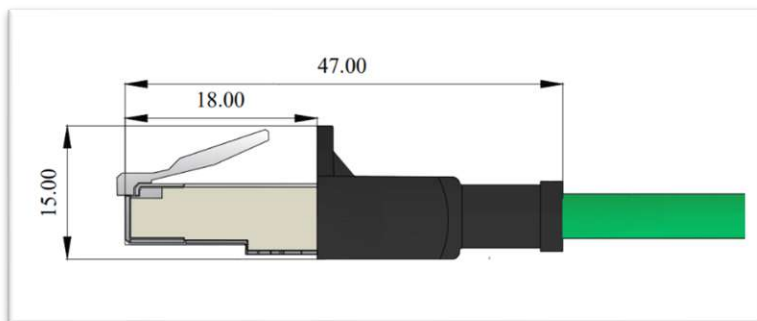
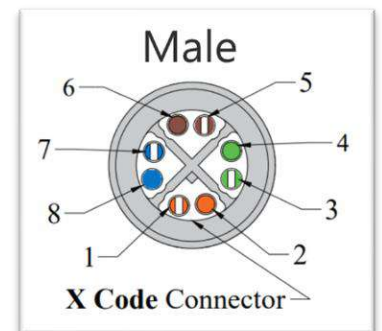
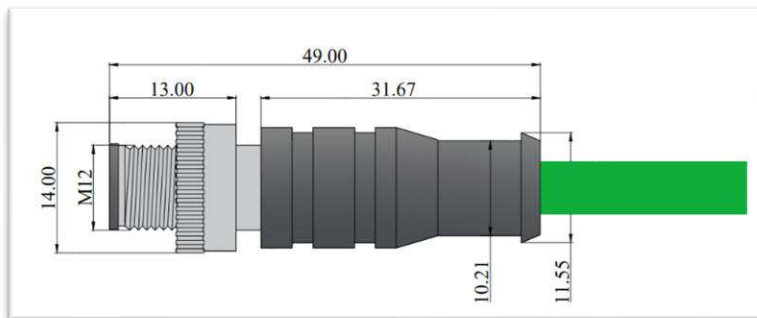
Sensors and Actuator

- ❖ Product description- M12 Male Straight X Code to Rj45 Male Straight Pvc Shielded Green Cable
- ❖ 241245-9696-9088-814-XXXX-Gn
- ❖ Series –M12 X Code to RJ45 M Cord Set

Illustration



-Colour customization available based on MOQ



Product may differ from image



Product Datasheet Rev.No-02 Effective date-06-11-2025

The information in this product PDF has been compiled with the utmost care
Liability for the correctness completeness and topicality of the information is restricted to gross negligence.

Office Address: Ground Floor Plot No, G-8/7, Ranjangaon Industrial Area Shirur Road Karegaon, Ranjangaon MIDC, Pune Maharashtra-412220
India. Contact- info@leiindias.com; sales@leiindias.com; www.leiindias.com; +91-7448296005; +91-020-66205306 GST No-
27AACCL5628E1ZL Factory Address: 2347/B Wagholi Warehouse, Pune Nagar Road, Wagholi, Pune- 412207, Maharashtra, India.

Product Data sheet

Sensors and Actuator

Technical Data	
Operating voltage	60V AC/DC
Rated Surge Voltage	1.5 KV
Operating current per contact AMP	Max. 4 A
Connection type head A	Male connector, M12, 8-pin, Straight, X coded
Connection type head B	Male connector, RJ45, 8-pin, Straight
Protection	IP67, IP68, IP69
Housing Material	TPU
Locking nut material	Brass, Nickel plated
LED display	No
Connector colour	Black
Tightening torque	0.6 mm

Electrical Data	
Overvoltage category	II
Contact resistance	$\leq 5 \text{ m}\Omega$
Insulation resistance	$\geq 100 \text{ M}\Omega$
Test voltage	$\geq 1500 \text{ V}$
Conductor material	Bare Cu litz wires
Max. conductor resistance	Max. $220 \text{ }\Omega/\text{km}$ (at $20 \text{ }^\circ\text{C}$)
Nominal voltage	$\leq 300 \text{ V}$
Frequency	Up to 100 MHz

Mechanical Data	
Insertion/withdrawal cycles	≥ 100

Product properties	
Application	up to 10 Gbit Ethernet (Standard TIA 568-C.2) & ProfNet
Partly UV-resistant	in accordance with DIN EN ISO 4892-2-A
Flammability rating According to UL 94	HB

Product Datasheet Rev.No-02 Effective date-06-11-2025

The information in this product PDF has been compiled with the utmost care
Liability for the correctness completeness and topicality of the information is restricted to gross negligence.

Office Address: Ground Floor Plot No, G-8/7, Ranjangaon Industrial Area Shirur Road Karegaon, Ranjangaon MIDC, Pune Maharashtra-412220
India. Contact- info@leiindias.com; sales@leiindias.com; www.leiindias.com; +91-7448296005; +91-020-66205306 GST No-
27AACCL5628E1ZL Factory Address: 2347/B Wagholi Warehouse, Pune Nagar Road, Wagholi, Pune- 412207, Maharashtra, India.

Product Data sheet

Sensors and Actuator

General Data

Standards	IEC-61076-2-101 (M12)
Mounting method	Inserted, tightened
Pin Contact	CuZn
Housing contact	CuZn
Material (contact surface)	Au
Pollution Degree	3
Transmission speed	10 Gbps
Stripping length (jacket)	20 mm (If required)
Temperature range	-25.... +105°C

Cable Data

Category	CAT6A
Cable Type	PVC
Cable weight	68 g/m
Diameter (core)	8*0.14 mm ²
AWG	similar to AWG 26
Material (wire isolation)	PP
Material property (wire isolation)	Halogen-, CFC-, cadmium-, silicone- and lead-free
Colour/numbering of wires	Orange/White, Orange, Green/White, Green, Brown/White, Brown, Blue/White, Blue
Stranding combination	4 wires twisted in pair
Shield	Yes
Shielding	Tin braided
Optical shield covering	Min 85%
Material (jacket)	PVC
Outer-Ø (jacket)	6.2±0.2mm ²
Colour (jacket)	green
Chemical resistance	good resistance to oil, gasoline and chemicals (EN 60811-404)
Thermal resistance	flame retardant UL 1581 Section 1090 (H), CSA FT2 / IEC 60332-2-2
Temperature range (fixed)	-40...+80 °C, (+105 °C. at max. 10 000 operating hours)
Temperature range (mobile)	-25...+80 °C, (+105 °C. at max. 10 000 operating hours)
Bend radius (fixed)	8× outer Ø

Product Datasheet Rev.No-02 Effective date-06-11-2025

The information in this product PDF has been compiled with the utmost care
Liability for the correctness completeness and topicality of the information is restricted to gross negligence.

Office Address: Ground Floor Plot No, G-8/7, Ranjangaon Industrial Area Shirur Road Karegaon, Ranjangaon MIDC, Pune Maharashtra-412220
India. Contact- info@leiindias.com; sales@leiindias.com; www.leiindias.com; +91-7448296005; +91-020-66205306 GST No-
27AACCL5628E1ZL Factory Address: 2347/B Wagholi Warehouse, Pune Nagar Road, Wagholi, Pune- 412207, Maharashtra, India.

Product Data sheet

Sensors and Actuator

Bend radius (moving)	12× outer Ø
No. of bending cycles (C-track)	10 Mio. (25 °C)
Acceleration (C-track)	Max. 10 m/s
Torsion stress	±180°/m
No. of torsion cycles	max.2 Mio(25°c)
Torsion speed	35 cycle/min

Approvals

UL
CE
cULus
RoHS

Note: This product has been manufactured by the following Class-I, Class-II and class-III **IPC** standards

To understand the MPN please refer the below Table

241245-9696-9088-814-XXXX-Gn	
24	Series
12	M12 connector
45	RJ45 connector
96	Male Straight
96	Male Straight
9	X code
08	CAT6A PVC shielded cable
8	8 Pole connectors
8	8 Core cable
14	0.14 mm ² (Core size)
XXXX	Cable length as per customer requirement
Gn	Green

Product Datasheet Rev.No-02 Effective date-06-11-2025

The information in this product PDF has been compiled with the utmost care
Liability for the correctness completeness and topicality of the information is restricted to gross negligence.

Office Address: Ground Floor Plot No, G-8/7, Ranjangaon Industrial Area Shirur Road Karegaon, Ranjangaon MIDC, Pune Maharashtra-412220
India. Contact- info@leiindias.com; sales@leiindias.com; www.leiindias.com; +91-7448296005; +91-020-66205306 GST No-
27AACCL5628E1ZL Factory Address: 2347/B Wagholi Warehouse, Pune Nagar Road, Wagholi, Pune- 412207, Maharashtra, India.