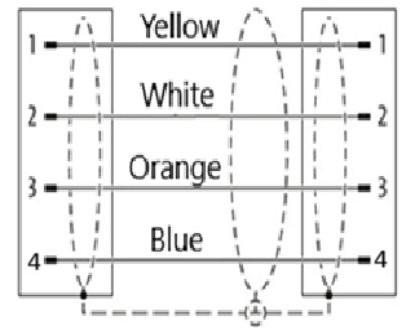


Product Data sheet

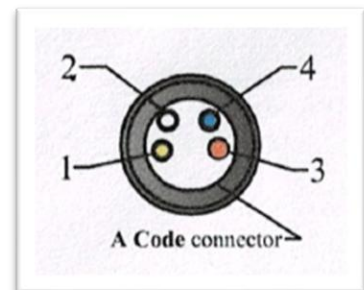
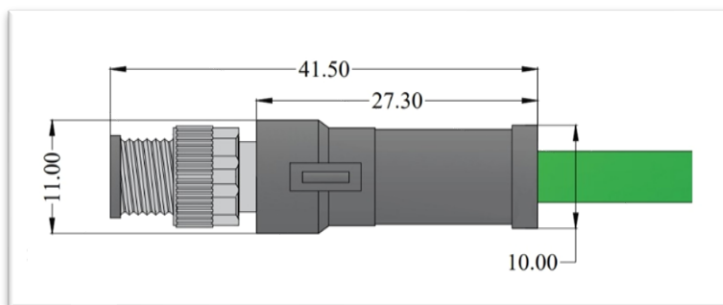
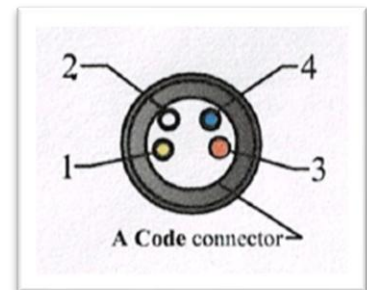
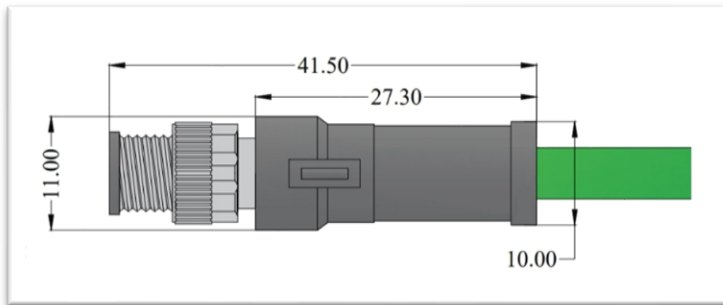
Sensors and Actuator

- ❖ Product description- M8 Male Straight A Code to M8 Male Straight A Code Pvc Shielded Green Cable
- ❖ MPN-248-9696-184-414-XXXX-Gn
- ❖ Series -M8 A coded

Illustration



-Colour customization available based on MOQ



Product may differ from image



Product Datasheet Rev.No-00 Effective date-29-11-2025

The information in this product PDF has been compiled with the utmost care
Liability for the correctness completeness and topicality of the information is restricted to gross negligence.

Office Address: Ground Floor Plot No, G-8/7, Ranjangaon Industrial Area Shirur Road Karegaon, Ranjangaon MIDC, Pune Maharashtra-412220 India. Contact- info@leiindias.com; sales@leiindias.com; www.leiindias.com; +91-7448296005; +91-020-66205306 GST No-27AACCL5628E1ZL
Factory Address: 2347/B Wagholi Warehouse, Pune Nagar Road, Wagholi, Pune- 412207, Maharashtra, India.

Product Data sheet

Sensors and Actuator

Technical Data	
Operating voltage	300 V AC/DC*
Rated Surge Voltage	1.5 kV
Operating current per contact AMP	Max. 4 A
Connection type head A	Male connector, M8 Straight, 4-pin, A coded
Connection type head B	Male connector, M8 Straight, 4-pin, A coded
Protection	IP65, IP67, IP66K
Housing Material	TPU
Locking nut material	Brass, Nickel plated
LED display	No
Connector colour	Black
Tightening torque	0.4 Nm
Frequency range	Up to 100 MHz
Transmission speed	1000 MB/s

Electrical Data	
Overvoltage category	II
Contact resistance	$\leq 5 \text{ m}\Omega$
Insulation resistance	$\geq 100 \text{ m}\Omega$
Test voltage	$\geq 3000 \text{ V}$
Conductor material	Bare Cu litz wires
Max. conductor resistance	Max. 78 Ω/km (at 20 °c)
Nominal voltage	$\leq 300 \text{ v}$

Mechanical Data	
Insertion/withdrawal cycles	≥ 100

Product properties	
Application	Actuator-sensor, gigabit ethernet & Profibus
Partly UV-resistant	in accordance with DIN EN ISO 4892-2-A
Flammability rating According to UL 94	HB

Product Datasheet Rev.No-00 Effective date-29-11-2025

The information in this product PDF has been compiled with the utmost care
Liability for the correctness completeness and topicality of the information is restricted to gross negligence.

Office Address: Ground Floor Plot No, G-8/7, Ranjangaon Industrial Area Shirur Road Karegaon, Ranjangaon MIDC, Pune Maharashtra-412220
India. Contact- info@leiindias.com; sales@leiindias.com; www.leiindias.com; +91-7448296005; +91-020-66205306 GST No-27AACCL5628E1ZL
Factory Address: 2347/B Wagholi Warehouse, Pune Nagar Road, Wagholi, Pune- 412207, Maharashtra, India.

Product Data sheet

Sensors and Actuator

General Data

Standards	IEC-61076-2-101 (M12)
Mounting method	Inserted, tightened.
Pin Contact	CuZn
Housing contact	CuSn
Material (contact surface)	Au
Pollution Degree	3
Stripping length (jacket)	20 mm (If required)
Temperature range	-25.....+105°C

Cable Data

Category	CAT5e
Cable Type	PVC
Cable weight	35 g/m
Diameter (core)	4*0.14 mm ² .
AWG	similar to AWG 26
Material (wire isolation)	PP
Material property (wire isolation)	Halogen-, CFC-, cadmium-, silicone- and lead-free
Colour/numbering of wires	Yellow, White, Blue, Orange
Stranding combination	4 wires
Shield	Yes
Shielding	Tin braided
Optical shield covering	Min. 85%
Material (jacket)	PVC
Outer-Ø (jacket)	5.0 ±0.2mm
Colour (jacket)	Green
Chemical resistance	good resistance to oil, gasoline and chemicals (EN 60811-404)
Thermal resistance	flame retardant UL 1581 Section 1090 (H), CSA FT2 / IEC 60332-2-2
Temperature range (fixed)	-40...+80 °C, (+105 °C. at max. 10 000 operating hours)
Temperature range (mobile)	-25...+80 °C, (+105 °C. at max. 10 000 operating hours)
Bend radius (fixed)	5× outer Ø
Bend radius (moving)	10× outer Ø
No. of bending cycles (C-track)	10 Mio. (25 °C)

Product Datasheet Rev.No-00 Effective date-29-11-2025

The information in this product PDF has been compiled with the utmost care
Liability for the correctness completeness and topicality of the information is restricted to gross negligence.

Office Address: Ground Floor Plot No, G-8/7, Ranjangaon Industrial Area Shirur Road Karegaon, Ranjangaon MIDC, Pune Maharashtra-412220
India. Contact- info@leiindias.com; sales@leiindias.com; www.leiindias.com; +91-7448296005; +91-020-66205306 GST No-27AACCL5628E1ZL
Factory Address: 2347/B Wagholi Warehouse, Pune Nagar Road, Wagholi, Pune- 412207, Maharashtra, India.

Product Data sheet

Sensors and Actuator

Acceleration (C-track)	Max. 10 m/s
Torsion stress	±180°/m
No. of torsion cycles	max.2 Mio(25°c)
Torsion speed	35 cycle/min

Approvals	
	UL
	CE
	cULus
	RoHS

Note: This product has been manufactured by the following Class-I, Class-II and class-III **IPC** standards

To understand the MPN please refer the below Table

248-9666-184-414-XXXX-Gn	
24	Series
8	M8 connector
96	Male Straight
66	Female Straight
1	A code
8	CAT5e PVC shielded
4	4 pole Connector
4	4 core cable
14	0.14 mm ² (Core size)
XXXX	Cable length as per customer requirement
Gn	Green Cable

Product Datasheet Rev.No-00 Effective date-29-11-2025

The information in this product PDF has been compiled with the utmost care
Liability for the correctness completeness and topicality of the information is restricted to gross negligence.

Office Address: Ground Floor Plot No, G-8/7, Ranjangaon Industrial Area Shirur Road Karegaon, Ranjangaon MIDC, Pune Maharashtra-412220
India. Contact- info@leiindias.com; sales@leiindias.com; www.leiindias.com; +91-7448296005; +91-020-66205306 GST No-27AACCL5628E1ZL
Factory Address: 2347/B Wagholi Warehouse, Pune Nagar Road, Wagholi, Pune- 412207, Maharashtra, India.