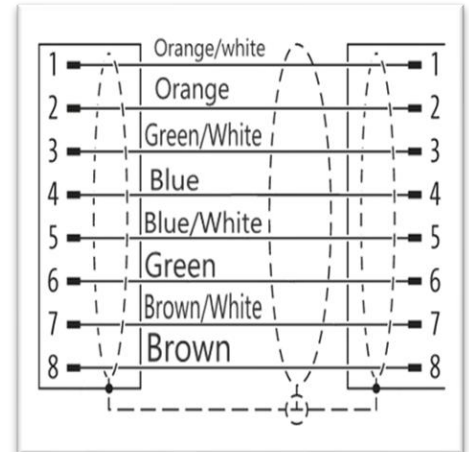


Product Data sheet

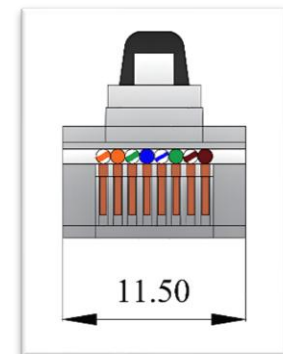
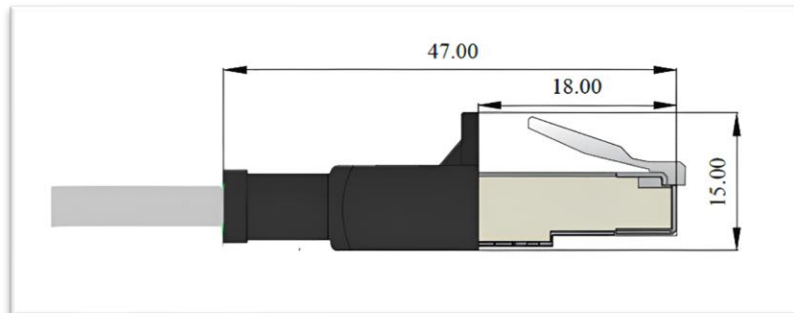
Industrial Ethernet Cable – Extension Cable

- ❖ Product Description- RJ45 Male 0° / RJ45 Male 0° 8P8C CAT 6A Pvc Shielded Grey Cable
- ❖ MPN- 2445-9696-0088-814-XXXX-Gr
- ❖ Series –RJ45 Cord Set

Illustration



- ❖ -Colour customization available based on MOQ



Product may differ from image



Product Datasheet Rev.No-00 Effective date-05-02-2026

The information in this product PDF has been compiled with the utmost care
Liability for the correctness completeness and topicality of the information is restricted to gross negligence.

Office Address: Ground Floor Plot No, G-8/7, Ranjangaon Industrial Area Shirur Road Karegaon, Ranjangaon MIDC, Pune Maharashtra-412220
India. Contact- info@leiindias.com; sales@leiindias.com; www.leiindias.com;+91-7448296005; +91-020-66205306 GST No-27AACCL5628E1ZL
Factory Address: 2347/B Wagholi Warehouse, Pune Nagar Road, Wagholi, Pune- 412207, Maharashtra, India.

Product Data sheet

Industrial Ethernet Cable – Extension Cable

Technical Data

Operating voltage	60V AC/DC*
Rated Surge Voltage	1 kV
Operating current per contact AMP	Max. 1.5 A
Connection type head A	RJ45, 8-Pin, Male Straight,
Connection type head B	RJ45, 8-Pin, Male Straight,
Protection	IP20
Housing Material	TPU
LED display	No
Connector colour	Transparent

Electrical Data

Overvoltage category	II
Contact resistance	≤ 20 mΩ
Insulation resistance	≥ 500 mΩ
Test voltage	≥ 1500 V
Conductor material	Cu wire
Max. conductor resistance	Max. 140 Ω/km (at 20 °c)
Nominal voltage	≤ 600 v
Frequency Range	Up to 500 MHz

Mechanical Data

Insertion/withdrawal cycles	≥ 750
Insertion force per signal contact	<20 N

Product properties

Application	Ethernet, Data transmission
Partly UV-resistant	in accordance with DIN EN ISO 4892-2-A
Flammability rating According to UL 94	V2

Product Datasheet Rev.No-00 Effective date-05-02-2026

The information in this product PDF has been compiled with the utmost care
Liability for the correctness completeness and topicality of the information is restricted to gross negligence.

Office Address: Ground Floor Plot No, G-8/7, Ranjangaon Industrial Area Shirur Road Karegaon, Ranjangaon MIDC, Pune Maharashtra-412220
India. Contact- info@leiindias.com; sales@leiindias.com; www.leiindias.com; +91-7448296005; +91-020-66205306 GST No-27AACCL5628E1ZL
Factory Address: 2347/B Wagholi Warehouse, Pune Nagar Road, Wagholi, Pune- 412207, Maharashtra, India.

Product Data sheet

Industrial Ethernet Cable – Extension Cable

General Data	
Category	CAT6A
Mounting method	Inserted
Pin Contact	CuZn Gold plated
Housing contact	CuZn
Material (contact surface)	Au
Pollution Degree	3
Transmission Speed	10 Gbps
Temperature range	-25....+105°C
Cable Data	
Cable Type	PVC
Cable weight	65 g/m
Diameter (core)	8*0.14 mm².
AWG	Similar to AWG 26
Material (wire isolation)	PP
Material property (wire isolation)	Halogen-, CFC-, cadmium-, silicone- and lead-free
Colour/numbering of wires	White/Orange, Orange, White/Green, Blue, White/Blue, Green, White/ Brown, Brown
Shield	YES
Shielding	Tin braiding
Optical shield covering	Min 85%
Material (jacket)	PVC
Outer-Ø (jacket)	6.20 ±0.2mm
Colour (jacket)	Grey
Chemical resistance	Good resistance to oil, gasoline and chemicals (EN 60811-404)
Thermal resistance	Flame retardant UL 1581 Section 1090 (H), CSA FT2 / IEC 60332-2-2
Temperature range (fixed)	-40...+80 °C, (+105 °C. at max. 10 000 operating hours)
Temperature range (mobile)	-25...+80 °C, (+105 °C. at max. 10 000 operating hours)
Bend radius (fixed)	5× outer Ø
Bend radius (moving)	10× outer Ø

Product Datasheet Rev.No-00 Effective date-05-02-2026

The information in this product PDF has been compiled with the utmost care
Liability for the correctness completeness and topicality of the information is restricted to gross negligence.

Office Address: Ground Floor Plot No, G-8/7, Ranjangaon Industrial Area Shirur Road Karegaon, Ranjangaon MIDC, Pune Maharashtra-412220
India. Contact- info@leiindias.com; sales@leiindias.com; www.leiindias.com; +91-7448296005; +91-020-66205306 GST No-27AACCL5628E1ZL
Factory Address: 2347/B Wagholi Warehouse, Pune Nagar Road, Wagholi, Pune- 412207, Maharashtra, India.

Product Data sheet

Industrial Ethernet Cable – Extension Cable

No. of bending cycles (C-track)	35 Mio. (25 °C)
Acceleration (C-track)	Max. 2.4 m/s
Torsion stress	±270 °/m
No. of torsion cycles	max.3 Mio(25°c)
Torsion speed	60 cycle/min

Approvals	
	UL
	CE
	cULus
	RoHS

Note: This product has been manufactured by the following Class-I, Class-II and class-III IPC standards

To understand the MPN please refer the below table

2445-9696-0088-814-XXXX-Gr	
24	Series
45	RJ45 Connector
96	Male Straight
96	Male Straight
0	No Code
08	CAT6A PVC Shielded
8	Pole Connector
8	8 Core
14	0.14 mm ² (Core size)
XXXX	Cable length as per customer requirement
Gr	Grey Cable

Product Datasheet Rev.No-00 Effective date-05-02-2026

The information in this product PDF has been compiled with the utmost care
Liability for the correctness completeness and topicality of the information is restricted to gross negligence.

Office Address: Ground Floor Plot No, G-8/7, Ranjangaon Industrial Area Shirur Road Karegaon, Ranjangaon MIDC, Pune Maharashtra-412220
India. Contact- info@leiindias.com; sales@leiindias.com; www.leiindias.com;+91-7448296005; +91-020-66205306 GST No-27AACCL5628E1ZL
Factory Address: 2347/B Wagholi Warehouse, Pune Nagar Road, Wagholi, Pune- 412207, Maharashtra, India.