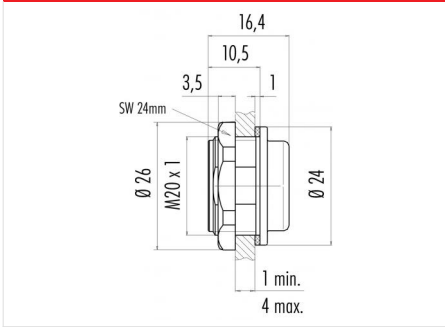


Product description	Snap-In IP67 adapter, shielding is not possible, pluggable, VDE, front mounting
Area	Snap-In IP67 series 720
Order number	08 2434 000 001

Illustration



Scale drawing



You can find the component part drawing and assembly instructions on the next page.

Technical data

General values

Connector design	adapter
Termination	pluggable
Upper limit temperature	85 °C
Lower limit temperature	- 25 °C
Customs tariff number	85366990
Packaging Unit	100

Electrical values

Pollution degree	2
EMC compliance	shielding is not possible

Material

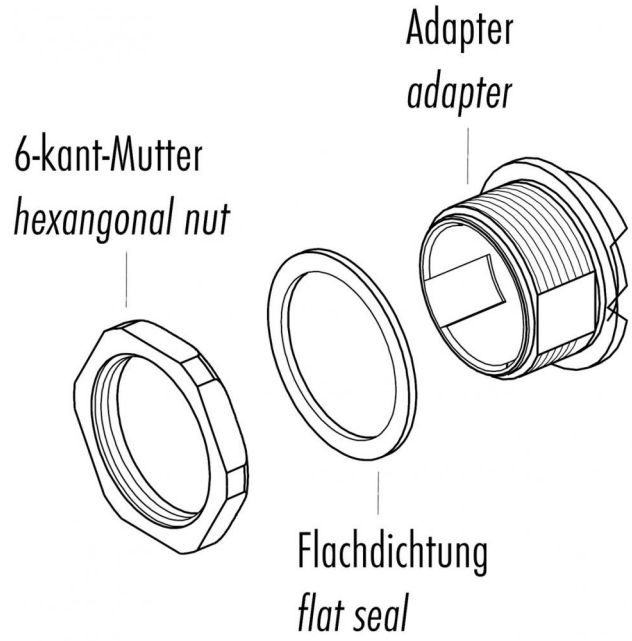
Housing material	PA
REACH SVHC	CAS 7439-92-1 (Lead)

Cable data

Approval 1	VDE
------------	-----

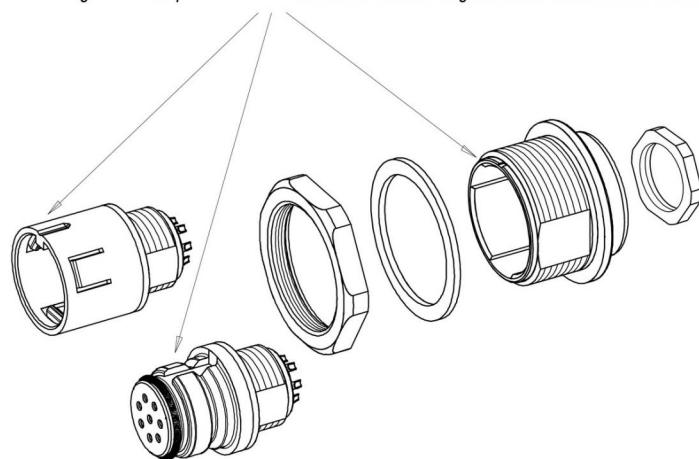
Product description	Snap-In IP67 adapter, shielding is not possible, pluggable, VDE, front mounting
Area	Snap-In IP67 series 720
Order number	08 2434 000 001

Component part drawing



Assembly instructions / Panel cut-out

Die Markierung des Adapters muss mit der Kodiernase des Einsatzes übereinstimmen
The marking of the adapter must be conform with the coding nut of the insert

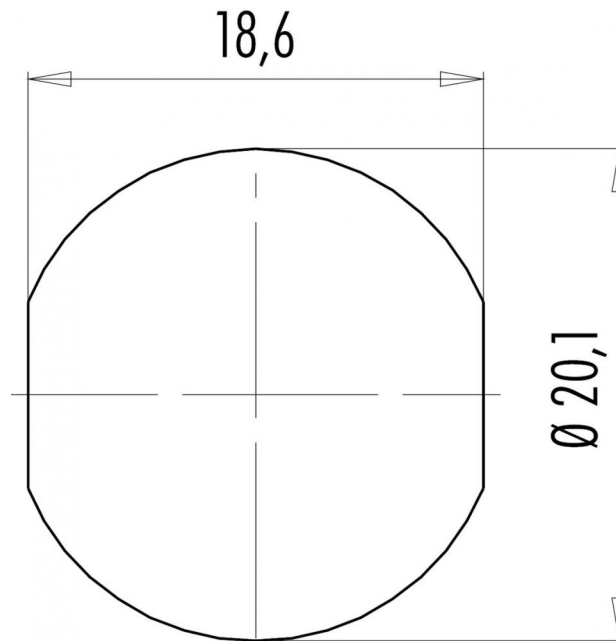


Einsätze müssen separat bestellt werden
Inserts have to be ordered separately

Product description **Snap-In IP67 adapter, shielding is not possible, pluggable, VDE, front mounting**

Area **Snap-In IP67 series 720**
Order number **08 2434 000 001**

Assembly instructions / Panel cut-out



Product description	Snap-In IP67 adapter, shielding is not possible, pluggable, VDE, front mounting
Area	Snap-In IP67 series 720
Order number	08 2434 000 001

Security notices

The connector must not be connected or separated under load. Non-observance and incorrect use can result in personal injury.

The connectors are designed for use in plant, control system and electrical equipment. The end user is responsible for checking whether the connectors are suitable for use in other applications.