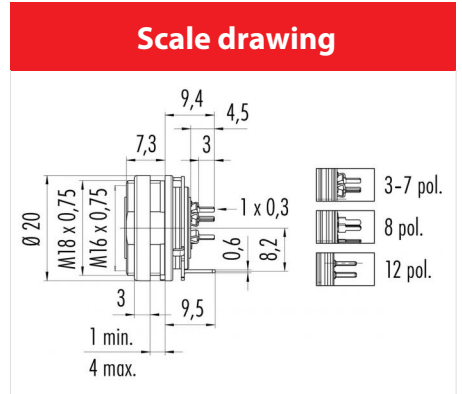
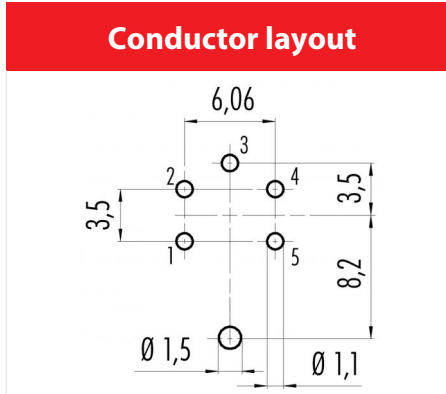


Product description **M16 IP40 female panel mount connector, Contacts: 5, shieldable, dip-solder, IP40, front mounting**  
 Area **M16 IP40 series 680**  
 Order number **09 0316 290 05**



**Contact arrangement (Plug-in side)**

|   | X     | Y     |
|---|-------|-------|
| 1 | -3,03 | -1,75 |
| 2 | -3,03 | 1,75  |
| 3 | 0,00  | 3,50  |
| 4 | 3,03  | 1,75  |
| 5 | 3,03  | -1,75 |

**Technical data**

**General values**

|                          |                              |
|--------------------------|------------------------------|
| Connector design         | female panel mount connector |
| Connector locking system | screw                        |
| Termination              | dip-solder                   |
| Upper limit temperature  | 85 °C                        |
| Lower limit temperature  | - 40 °C                      |
| Customs tariff number    | 85369010                     |
| Packaging Unit           | 20                           |

**Electrical values**

|                           |                      |
|---------------------------|----------------------|
| Rated current (40 °C)     | 6 A                  |
| Rated voltage             | 250 V                |
| Rated impulse voltage     | 1500 V               |
| Pollution degree          | 1                    |
| Overvoltage category      | I                    |
| Insulating material group | III                  |
| Insulation resistance     | ≥ 10 <sup>10</sup> Ω |
| EMC compliance            | shieldable           |
| Degree of protection      | IP40                 |
| Mechanical operation      | > 1000 Mating cycles |

**Material**

|                       |                             |
|-----------------------|-----------------------------|
| Contact material      | CuSn (bronze)               |
| Contact plating       | Ag (silver)                 |
| Contact body material | PBT (UL94 V-0)              |
| Housing material      | Zinc die-cast nickel-plated |
| REACH SVHC            | CAS 7439-92-1 (Lead)        |

|                     |   |
|---------------------|---|
| Product description | <b>M16 IP40 female panel mount connector, Contacts: 5, shieldable, dip-solder, IP40, front mounting</b> |
| Area                | <b>M16 IP40 series 680</b>  |
| Order number        | <b>09 0316 290 05</b>   |

## Security notices

The connector must not be connected or separated under load. Non-observance and incorrect use can result in personal injury.

The connectors are designed for use in plant, control system and electrical equipment. The end user is responsible for checking whether the connectors are suitable for use in other applications.

The connector is not suitable for mains voltages. Please observe the pollution degrees and the overvoltage category. For further information refer to 'Technical support' in the Download Centre.