
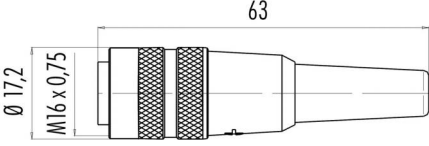
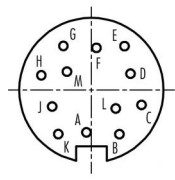


Product description	M16 IP40 female cable connector, Contacts: 12, 3.0 - 6.0 mm, shielding is not possible, solder, IP40
Area	M16 IP40 series 680
Order number	09 0330 00 12

Illustration	Scale drawing	Contact arrangement (Plug-in side)																																							
		 <table border="1" style="margin-left: auto; margin-right: auto;"> <thead> <tr> <th></th> <th>X</th> <th>Y</th> </tr> </thead> <tbody> <tr><td>A</td><td>-0,41</td><td>-3,45</td></tr> <tr><td>B</td><td>2,29</td><td>-3,61</td></tr> <tr><td>C</td><td>4,10</td><td>-1,21</td></tr> <tr><td>D</td><td>3,20</td><td>1,34</td></tr> <tr><td>E</td><td>2,71</td><td>3,59</td></tr> <tr><td>F</td><td>0,41</td><td>3,45</td></tr> <tr><td>G</td><td>-2,29</td><td>3,61</td></tr> <tr><td>H</td><td>-4,10</td><td>1,21</td></tr> <tr><td>J</td><td>-3,20</td><td>-1,34</td></tr> <tr><td>K</td><td>-2,71</td><td>-3,59</td></tr> <tr><td>L</td><td>2,00</td><td>-1,51</td></tr> <tr><td>M</td><td>-2,00</td><td>1,51</td></tr> </tbody> </table>		X	Y	A	-0,41	-3,45	B	2,29	-3,61	C	4,10	-1,21	D	3,20	1,34	E	2,71	3,59	F	0,41	3,45	G	-2,29	3,61	H	-4,10	1,21	J	-3,20	-1,34	K	-2,71	-3,59	L	2,00	-1,51	M	-2,00	1,51
	X	Y																																							
A	-0,41	-3,45																																							
B	2,29	-3,61																																							
C	4,10	-1,21																																							
D	3,20	1,34																																							
E	2,71	3,59																																							
F	0,41	3,45																																							
G	-2,29	3,61																																							
H	-4,10	1,21																																							
J	-3,20	-1,34																																							
K	-2,71	-3,59																																							
L	2,00	-1,51																																							
M	-2,00	1,51																																							

You can find the assembly instructions on the next page.

Technical data

General values

Connector design	female cable connector
Connector locking system	screw
Termination	solder
Wire gauge (mm)	0.25 mm ²
Wire gauge (AWG)	24
Cable outlet	3.0 - 6.0 mm
Upper limit temperature	85 °C
Lower limit temperature	- 40 °C
Customs tariff number	85369010
Packaging Unit	100

Electrical values

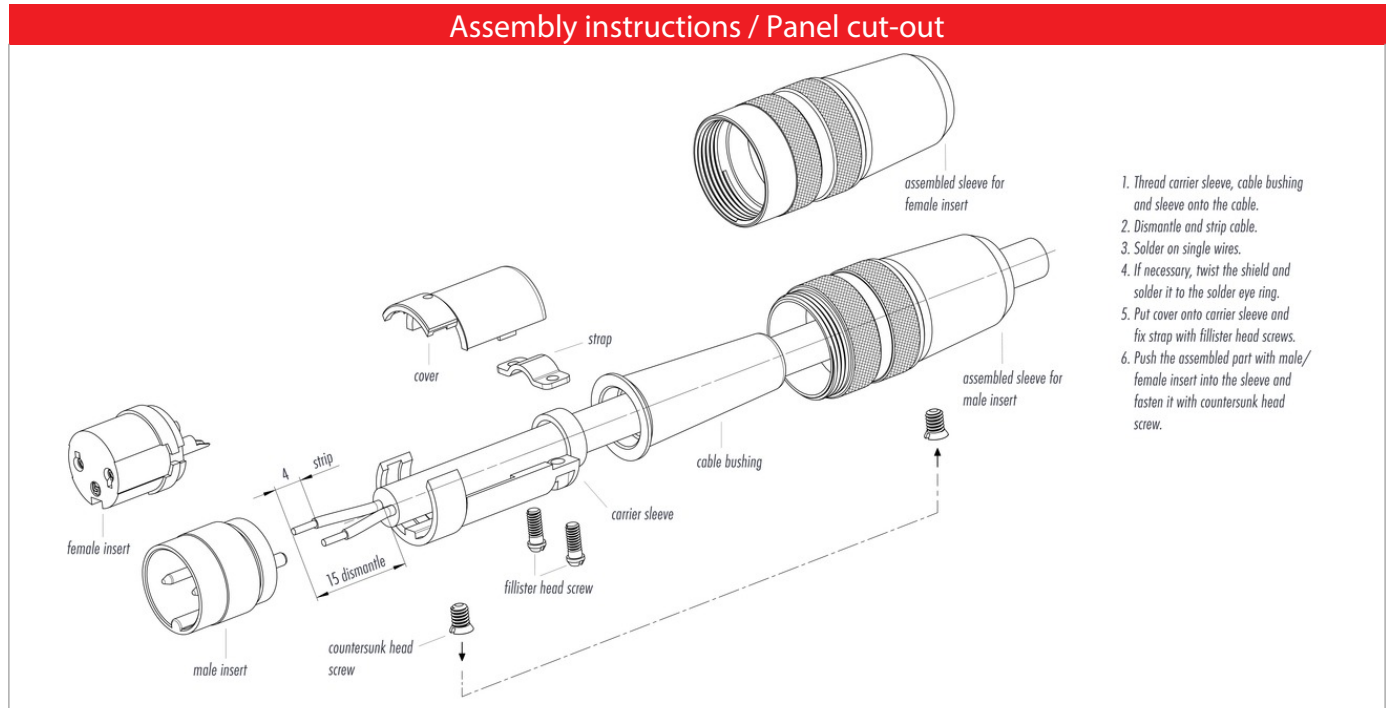
Rated current (40 °C)	3 A
Rated voltage	60 V
Rated impulse voltage	500 V
Pollution degree	1
Overvoltage category	I
Insulating material group	III
Insulation resistance	≥ 10 ¹⁰ Ω
EMC compliance	shielding is not possible
Degree of protection	IP40
Mechanical operation	> 1000 Mating cycles

Material

Contact material	CuSn (bronze)
Contact plating	Au (gold)
Contact body material	PBT (UL94 V-0)
Housing material	PA
REACH SVHC	CAS 7439-92-1 (Lead)

Product description	M16 IP40 female cable connector, Contacts: 12, 3.0 - 6.0 mm, shielding is not possible, solder, IP40
Area	M16 IP40 series 680
Order number	09 0330 00 12

Assembly instructions / Panel cut-out



1. Thread carrier sleeve, cable bushing and sleeve onto the cable.
2. Dismantle and strip cable.
3. Solder on single wires.
4. If necessary, twist the shield and solder it to the solder eye ring.
5. Put cover onto carrier sleeve and fix strap with fillister head screws.
6. Push the assembled part with male/female insert into the sleeve and fasten it with countersunk head screw.

Product description	M16 IP40 female cable connector, Contacts: 12, 3.0 - 6.0 mm, shielding is not possible, solder, IP40
Area	M16 IP40 series 680
Order number	09 0330 00 12

Security notices

The connectors are designed for use in plant, control system and electrical equipment. The end user is responsible for checking whether the connectors are suitable for use in other applications.

To lock the cable connector to the equipment connector, the threaded ring is tightened until it is 'finger-tight' (approx. 50 cNm).