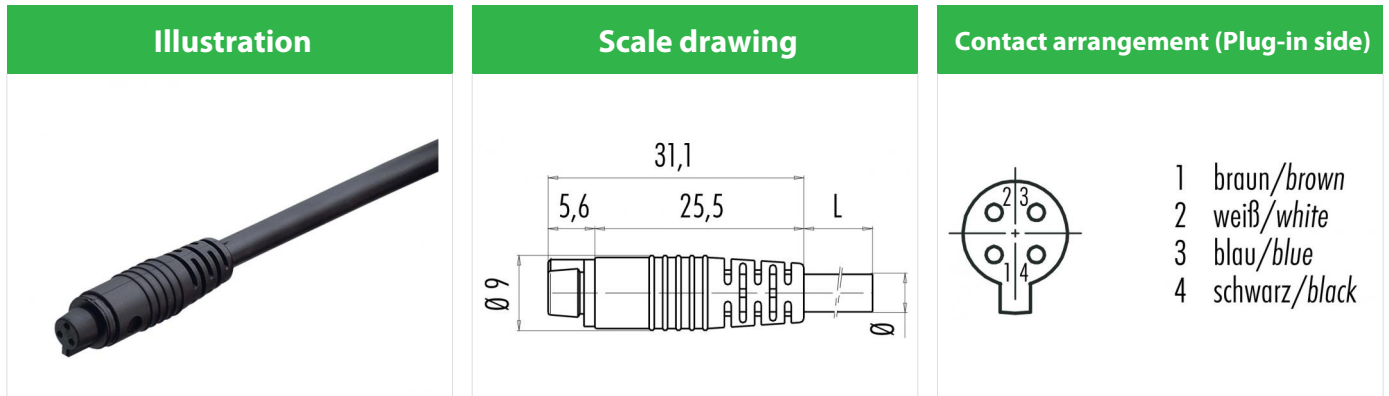


Product description	Snap-In IP40 female cable connector, Contacts: 4, not shielded, moulded on cable, IP40, Standard cable, PVC black, 4 x 0.25 mm²
Area	Snap-In IP40 series 709
Order number	79 9004 12 04



Technical data

General values

Connector design	female cable connector
Connector locking system	snap
Termination	moulded on cable
Wire gauge (mm)	0.25 mm ²
Wire gauge (AWG)	24
Upper limit temperature	70 °C
Lower limit temperature	- 20 °C
Customs tariff number	85444290
Packaging Unit	100

Cable data

Cable length	2 m
Sheath material	PVC
Single-lead insulation	PVC
Halogen free	No
Single-lead structure	32x0.1 mm
Cable diameter	4.5 mm
Cable color	black
Conductor resistance	80Ω/Km (20°C)
Temperature range, moving cable, °C from	-5°C
Temperature range, moving cable, °C to	+70°C
Temperature range, fixed cable, °C from	-25°C
Temperature range, fixed cable, °C to	+70°C
Bending radius, fixed cable	≥ 5 x Ø
Bending radius, moving cable	≥ 10 x Ø

Electrical values

Rated current (40 °C)	3 A
Rated voltage	60 V
Rated impulse voltage	800 V
Pollution degree	1
Overvoltage category	II
Insulating material group	III
Insulation resistance	≥ 10 ¹⁰ Ω
EMC compliance	not shielded
Degree of protection	IP40
Mechanical operation	> 100 Mating cycles

Material

Contact material	CuSn (bronze)
Contact plating	Au (gold)
Contact body material	PA
Housing material	PUR
REACH SVHC	CAS 7439-92-1 (Lead)

Product description	Snap-In IP40 female cable connector, Contacts: 4, not shielded, moulded on cable, IP40, Standard cable, PVC black, 4 x 0.25 mm²
Area	Snap-In IP40 series 709
Order number	79 9004 12 04

Security notices

The connectors are designed for use in plant, control system and electrical equipment. The end user is responsible for checking whether the connectors are suitable for use in other applications.