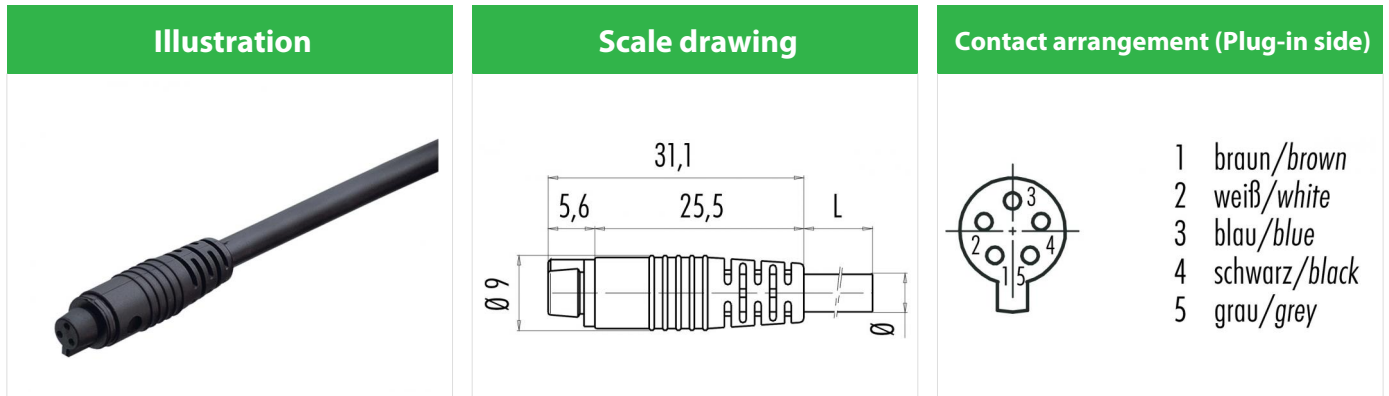


Product description	<b>Snap-In IP40 female cable connector, Contacts: 5, not shielded, moulded on cable, IP40, Standard cable, PVC black, 5 x 0.25 mm<sup>2</sup></b>
Area	<b>Snap-In IP40 series 709</b>
Order number	<b>79 9006 12 05</b>



## Technical data

### General values

Connector design	female cable connector
Connector locking system	snap
Termination	moulded on cable
Wire gauge (mm)	0.25 mm <sup>2</sup>
Wire gauge (AWG)	24
Upper limit temperature	70 °C
Lower limit temperature	- 20 °C
Customs tariff number	85444290
Packaging Unit	80

### Electrical values

Rated current (40 °C)	3 A
Rated voltage	60 V
Rated impulse voltage	800 V
Pollution degree	1
Overvoltage category	II
Insulating material group	III
Insulation resistance	≥ 10 <sup>10</sup> Ω
EMC compliance	not shielded
Degree of protection	IP40
Mechanical operation	> 100 Mating cycles

### Cable data

Cable length	2 m
Sheath material	PVC
Single-lead insulation	PVC
Halogen free	No
Single-lead structure	14x0.15 mm
Cable diameter	5.0 mm
Cable color	black
Conductor resistance	80Ω/Km (20°C)
Temperature range, moving cable, °C from	-5°C
Temperature range, moving cable, °C to	+70°C
Temperature range, fixed cable, °C from	-25 °C
Temperature range, fixed cable, °C to	+70°C
Bending radius, fixed cable	≥ 5 x Ø
Bending radius, moving cable	≥ 10 x Ø

### Material

Contact material	CuSn (bronze)
Contact plating	Au (gold)
Contact body material	PA
Housing material	PUR
REACH SVHC	CAS 7439-92-1 (Lead)

Product description	<b>Snap-In IP40 female cable connector, Contacts: 5, not shielded, moulded on cable, IP40, Standard cable, PVC black, 5 x 0.25 mm<sup>2</sup></b>
Area	<b>Snap-In IP40 series 709</b>
Order number	<b>79 9006 12 05</b>

## Security notices

The connectors are designed for use in plant, control system and electrical equipment. The end user is responsible for checking whether the connectors are suitable for use in other applications.