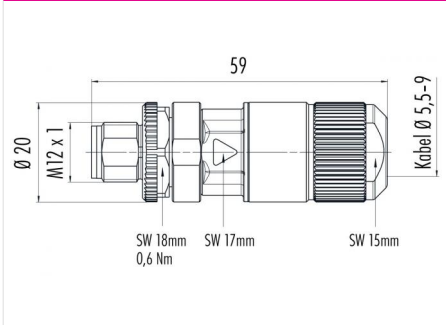


Product description	M12-X cable connector, Contacts: 8, 5.5 - 9.0 mm, shieldable, cutting clamp, IP67
Area	M12-X series 825
Order number	99 3787 810 08

Illustration



Scale drawing



Contact arrangement (Plug-in side)

	X	Y	
1	1,40	-2,80	1 weiß-orange/white-orange
2	2,80	-1,40	2 orange/orange
3	2,80	1,40	3 weiß-grün/white-green
4	1,40	2,80	4 grün/green
5	-1,40	2,80	5 weiß-braun/white-brown
6	-2,80	1,40	6 braun/brown
7	-2,80	-1,40	7 weiß-blau/white-blue
8	-1,40	-2,80	8 blau/blue

Schirm auf Gehäuse
shield on housing

You can find the component part drawing and assembly instructions on the next page.

Technical data

General values

Connector design	cable connector
Connector locking system	screw
Termination	cutting clamp
Wire gauge (AWG)	27 - 22
Cable outlet	5.5 - 9.0 mm
Upper limit temperature	85 °C
Lower limit temperature category	- 40 °C
Customs tariff number	CAT 6A
Packaging Unit	85366990 50

Electrical values

Rated current (40 °C)	0.5 A
Rated voltage	50 V AC / 60 V DC V
Rated impulse voltage	800 V
Pollution degree	3
Overvoltage category	II
Insulating material group	II
EMC compliance	shieldable
Degree of protection	IP67
Mechanical operation	> 100 Mating cycles

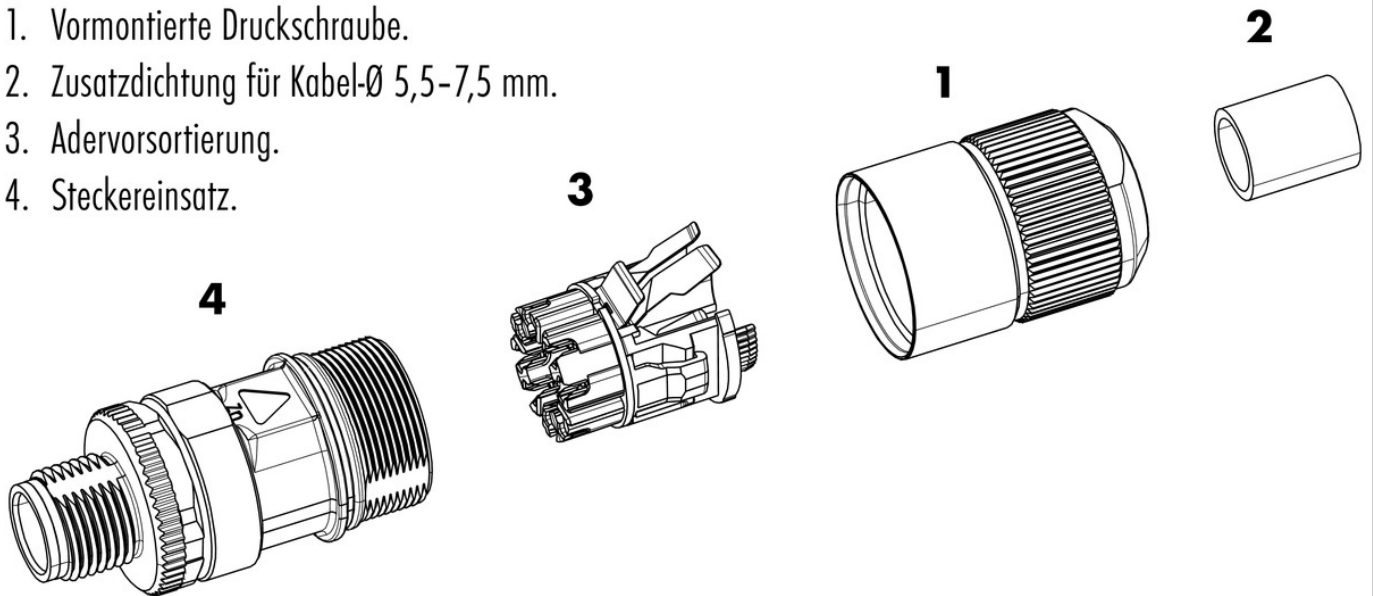
Material

Contact material	CuSn (bronze)
Contact plating	Au (gold)
Contact body material	PA
Housing material	Zinc die-cast nickel-plated
Locking material	Zinc die-cast nickel-plated
REACH SVHC	KS (No pollutants) CAS 7439-92-1 (Lead)

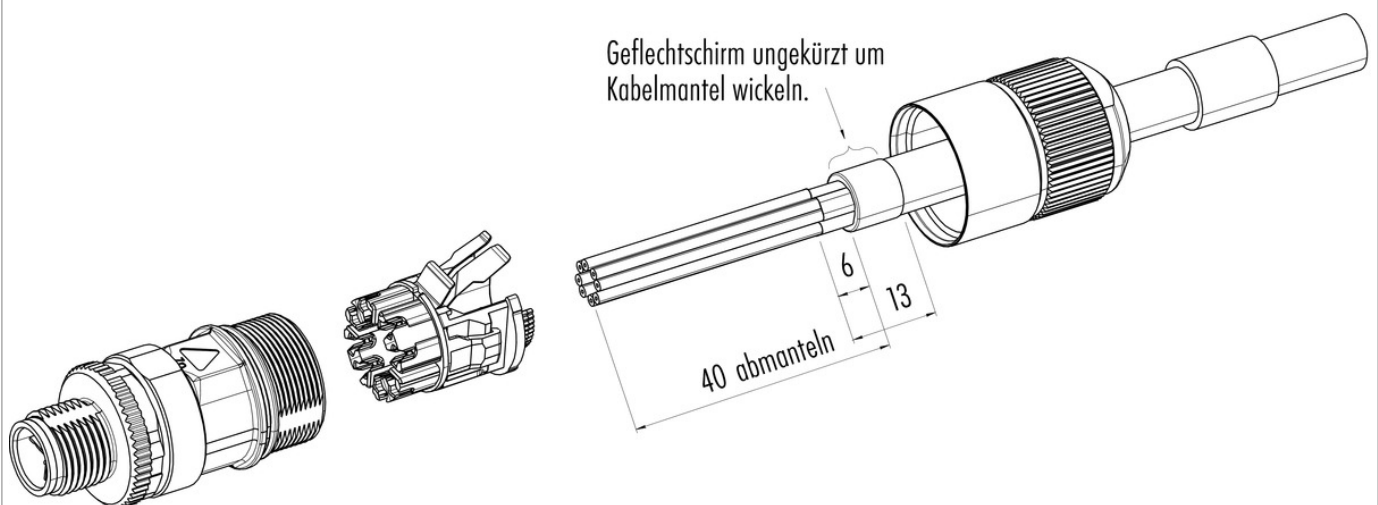
Product description	M12-X cable connector, Contacts: 8, 5.5 - 9.0 mm, shieldable, cutting clamp, IP67
Area	M12-X series 825
Order number	99 3787 810 08

Component part drawing

1. Vormontierte Druckschraube.
2. Zusatzdichtung für Kabel-Ø 5,5-7,5 mm.
3. Adervorsortierung.
4. Steckereinsatz.



Assembly instructions / Panel cut-out



Product description	M12-X cable connector, Contacts: 8, 5.5 - 9.0 mm, shieldable, cutting clamp, IP67
Area	M12-X series 825
Order number	99 3787 810 08

Security notices

The connectors are designed for use in plant, control system and electrical equipment. The end user is responsible for checking whether the connectors are suitable for use in other applications.

Connectors used in electrical circuits containing hazardous life parts must only be assembled and used by or under the supervision of persons with the requisite electrotechnical training, taking the applicable regulations and standards into account.

Connectors with degree of protection IP 67 and IP 68 are not suitable for use under water. When used outdoors, the connectors must be separately protected against corrosion. For further information about IP degrees of protection refer to 'Technical support' in the Download Centre.

To lock the cable connector to the equipment connector, the threaded ring is tightened until it is 'finger-tight' (approx. 50 cNm).